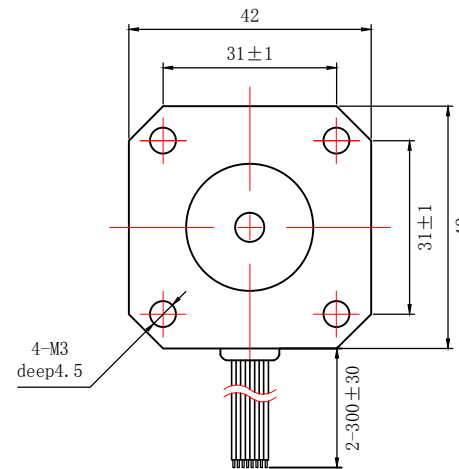
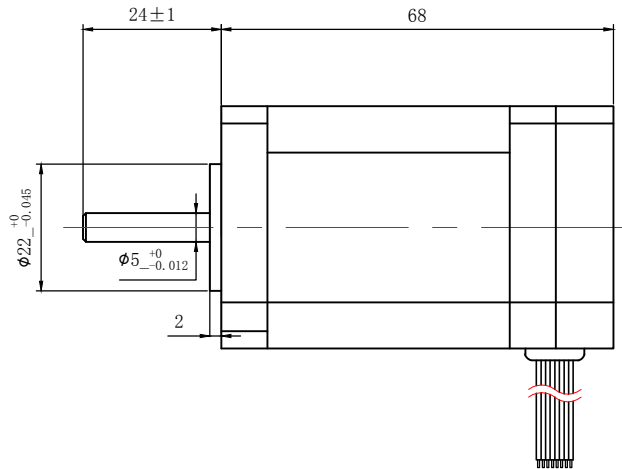


42BF68-0630

电机尺寸
DIMENSIONS:
(UNIT=MM)



NOTES:

1. PLEASE DON'T HOLD MOTOR BY LEAD WIRES.
2. PLEASE DON'T PLUG IN/OUT THE MOTOR CONNECTOR WHILE POWER ON.
3. PLEASE DON'T DROP, HURL OR DUMP MOTOR AGAINST HARD MATERIAL
MALFUNCTION MAY NOT BE OBSERVED AT EARLY STAGE AFTER SUCH SHOCKS, BUT FOUND LATER. THE MISHANDLING VOIDS OUR WARRANTY.
4. DONGGUAN ICAN-TECH WILL NOT BE RESPONSIBLE FOR ANY PATENT DISPUTE OR PROBLEM CAUSED BY ACTUAL APPLICATIONS

驱动连接方式
CONNECTION MODE:

连接方式 CONNECTION MODE	MOTOR CABLES 3"UL3265 AWG20#			HALL SENSOR CABLES 5"UL1007 AWG24#				
电机线 MOTOR LINE	粗黄	粗绿	粗蓝	细黄	细绿	细蓝	细黑	细红
驱动器接口 DRIVER INTERFACE	U	V	W	HU	HV	HW	REF-	REF+

DESIGNED	检图 CHECKED	APPROVED	SCALE
HUANG TING	MA HUALING		2016/03/01 1:1.3
42BF68-0630		SYS MOTOR	
BRUSHLESS DC MOTOR			EDITION V2.0

电机参数/ELECTRICAL PARAMETER		轴径配置/SHAFT DESIGN
电机型号 MANUFACTURER MODEL	42BLF-0630NBB	
适配直流无刷电机驱动控制器 MATCHED MOTOR DRIVE	BLD70/BLD120A	
额定功率 RATED POWER (W)	62	
额定转速 RATED SPEED (RPM±10%)	3000	
电机电压 RATED VOLTAGE (V)	24	
电机电阻 RESISTANCE (Ω±15%)	0.89	
电机电感 INDUCTANCE (mH±20%)	0.62	
电机力矩 HOLDING TORQUE (N.M)	0.2	
磁极数 NUMBER OF POLES	8	