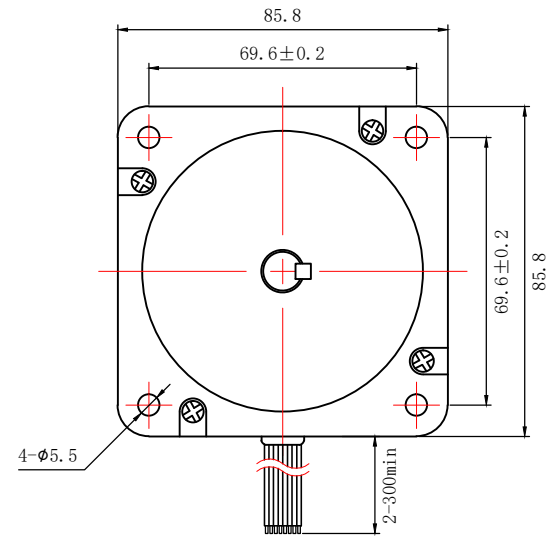
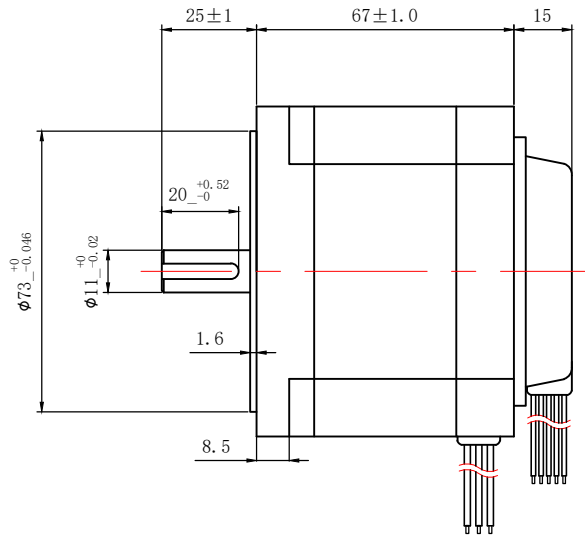


886BF67-2230

电机尺寸
DIMENSIONS:
(UNIT=MM)



NOTES:

- PLEASE DON'T HOLD MOTOR BY LEAD WIRES.
- PLEASE DON'T PLUG IN/OUT THE MOTOR CONNECTOR WHILE POWER ON.
- PLEASE DON'T DROP, HURL OR DUMP MOTOR AGAINST HARD MATERIAL
MALFUNCTION MAY NOT BE OBSERVED AT EARLY STAGE AFTER SUCH SHOCKS, BUT FOUND LATER. THE MISHANDLING VOIDS OUR WARRANTY.
- DONGGUAN ICAN-TECH WILL NOT BE RESPONSIBLE FOR ANY PATENT DISPUTE OR PROBLEM CAUSED BY ACTUAL APPLICATIONS

驱动连接方式
CONNECTION MODE:

连接方式 CONNECTION MODE	MOTOR CABLES 3"UL3265 AWG20#			HALL SENSOR CABLES 5"UL1007 AWG26#				
电机线 MOTOR LINE	粗红	粗黄	粗蓝	细红	细黄	细蓝	细黑	细白
驱动器接口 DRIVER INTERFACE	U	V	W	HU	HV	HW	REF-	REF+

DESIGNED	检图 CHECKED	APPROVED		SCALE
HUANG TING	MA HUALING		2016/03/01	1:2
86BF67-2230		SYS MOTOR		
BRUSHLESS DC MOTOR			EDITION	
			V2.0	

电机参数/ELECTRICAL PARAMETER		轴径配置/SHAFT DESIGN
电机型号 MANUFACTURER MODEL	86BLF-2230LBB	
适配直流无刷电机驱动控制器 MATCHED MOTOR DRIVE	BLD300B	
额定功率 RATED POWER (W)	220	
额定转速 RATED SPEED (RPM±10%)	3000	
电机电压 RATED VOLTAGE (V)	48	
电机电阻 RESISTANCE (Ω±15%)	0.39	
电机电感 INDUCTANCE (mH±20%)		
电机力矩 HOLDING TORQUE (N.M)	0.7	
磁极数 NUMBER OF POLES	8	