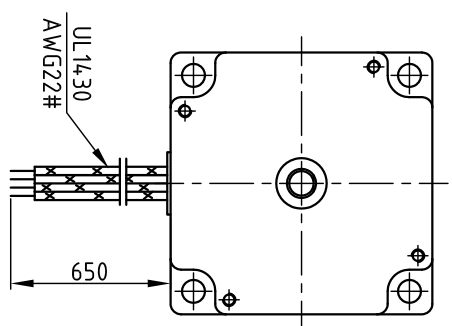
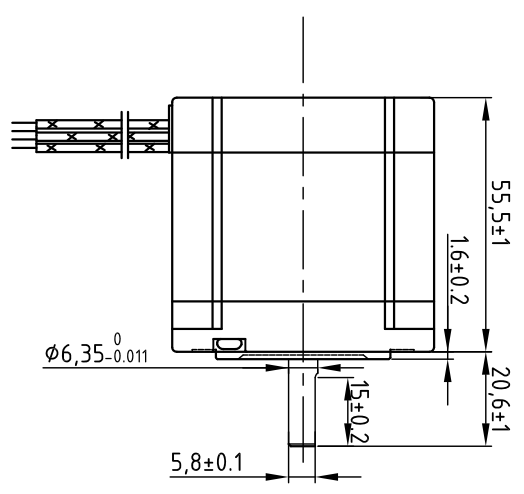
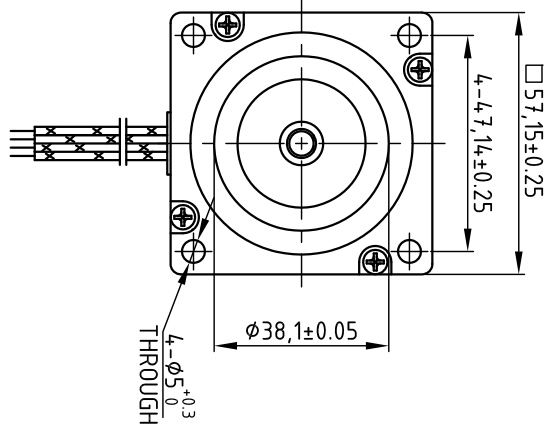


尺寸/Dimensions 单位/Unit:mm



23H256-30-6A

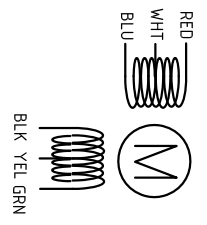
REV:A



电动机规格书/Motor Specification

|   |                       |
|---|-----------------------|
| 相数/Number Of Phase                      | 2                     |
| 基本步距角/Basic Step Angle                  | 1.8°                  |
| 基本步距角误差/空载/Positional Accuracy(no-load) | ±0.09°以下/Max          |
| 额定电流/相/Rated Current(Phase)             | 3.0A                  |
| 电阻/相/Resistance(Phase@20°C)             | 0.75Ω±10%             |
| 电感/相/Inductance(Phase@1KHz)             | 15mH±20%              |
| 保持力矩/Holding Torque                     | 1.0N·m                |
| 转子惯量/Rotor Inertia                      | ≈280g·cm <sup>2</sup> |
| 质量/Mass                                 | ≈0.72kg               |
| 空向跳动/最大/Radial Play(Max)                | 0.025mm/load/负载 4.50g |
| 轴向跳动/最大/Axial Play(Max)                 | 0.075mm/load/负载 920g  |
| 额定工作状态/Duty                             | 连续/Continuous         |
| 绝缘耐压/Dielectric Strength                | 500V AC               |
| 绝缘电阻/Insulation Resistance              | 100MΩ以上/Min           |
| 绝缘等级/Insulation Class(UL)               | B                     |
| 寿命/小时/Life(hours)                       | 80K以下/Max             |
| 温升/Temperature Rise                     | 5000以上/Min            |
| 使用温度范围/Operation Ambient Temperature    | 0°C~+50°C             |
| 使用湿度范围/Operation Ambient Humidity       | 20%RH~90%RH           |
| 保存温度范围/Storage Temperature              | -20°C~+70°C           |
| 保存湿度范围/Storage Ambient Humidity         | 15%RH~95%RH           |

线图/Wiring Diagram



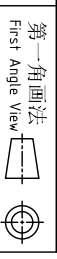
励磁顺序 (2相励磁)  
Phase Sequence(2 Phase Exciting)

|      |   |   |    |    |
|------|---|---|----|----|
| Step | A | B | Ā | B̄ |
| 1    | + | + | -  | -  |
| 2    | - | + | +  | -  |
| 3    | + | - | -  | +  |
| 4    | - | - | +  | +  |
| 5    | + | + | -  | -  |

CW → CCW →

铭牌内容/Label Description

SYS MOTOR



|                   |   |                  |                |            |             |                |               |                |                 |             |                   |
|-------------------|---|------------------|----------------|------------|-------------|----------------|---------------|----------------|-----------------|-------------|-------------------|
| 版本<br>Edition     | 3 | 初版/First Edition | 设计<br>Designed | 日期<br>Date | 制图<br>Drawn | 批准<br>Approved | 审核<br>Checked | 设计<br>Designed | 公差<br>Tolerance | 比例<br>Scale | 页<br>Sheet        |
| 变更内容<br>Revisions | 4 |                  |                |            |             |                |               |                | ±0.2            | 1:2         | NO. 050219<br>1/1 |